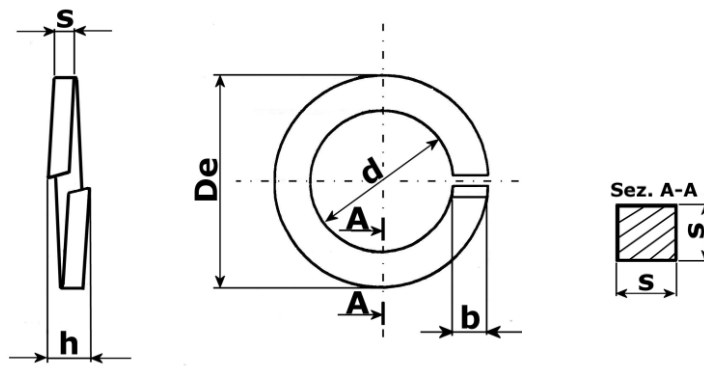


## RONDELLE ELASTICHE GROWER A SEZIONE QUADRA

DIN 7980



Per viti	d min.-max.	De max.	b min.-max.	s min.-max.	h min.-max.	Carico [N]	h residua min. dopo carico	Kg~ per 1000 pezzi
<b>M 3.0</b>	3.10-3.40	5,60	0.90-1.10	0.90-1.10	2.00-2.36	1760	1,60	0,105
<b>M 4</b>	4.10-4.40	7,00	1.10-1.30	1.10-1.30	2.40-2.83	3050	1,60	0,191
<b>M 5</b>	5.10-5.40	8,80	1.50-1.70	1.50-1.70	3.20-3.78	5050	2,50	0,380
<b>M 6</b>	6.10-6.50	9,90	1.50-1.70	1.50-1.70	3.20-3.78	7050	2,60	0,430
<b>M 8</b>	8.10-8.50	12,70	1.90-2.10	1.90-2.10	4.00-4.72	12900	3,20	0,920
<b>M 10</b>	10.20-10.70	16,00	2.35-2.65	2.35-2.65	5.00-5.90	20600	4,00	1,776
<b>M 12</b>	12.20-12.70	18,00	2.35-2.65	2.35-2.65	5.00-5.90	30000	4,00	2,062
<b>M 14</b>	14.20-14.70	21,10	2.80-3.20	2.80-3.20	6.00-7.10	41300	4,80	3,400
<b>M 16</b>	16.20-17.00	24,40	3.30-3.70	3.30-3.70	7.00-8.25	56300	5,60	5,745
<b>M 18</b>	18.20-19.00	26,40	3.30-3.70	3.30-3.70	7.00-8.25	69000	5,60	6,300
<b>M 20</b>	20.20-21.20	30,60	4.30-4.70	4.30-4.70	9.00-10.60	88000	7,20	11,805
<b>M 22</b>	22.50-23.50	32,90	4.30-4.70	4.30-4.70	9.00-10.60	110000	7,20	12,740
<b>M 24</b>	24.50-25.50	35,90	4.80-5.20	4.80-5.20	10.00-11.80	127000	8,00	16,383
<b>M 27</b>	27.50-28.50	38,90	4.80-5.20	4.80-5.20	10.00-11.80	167000	8,00	18,193